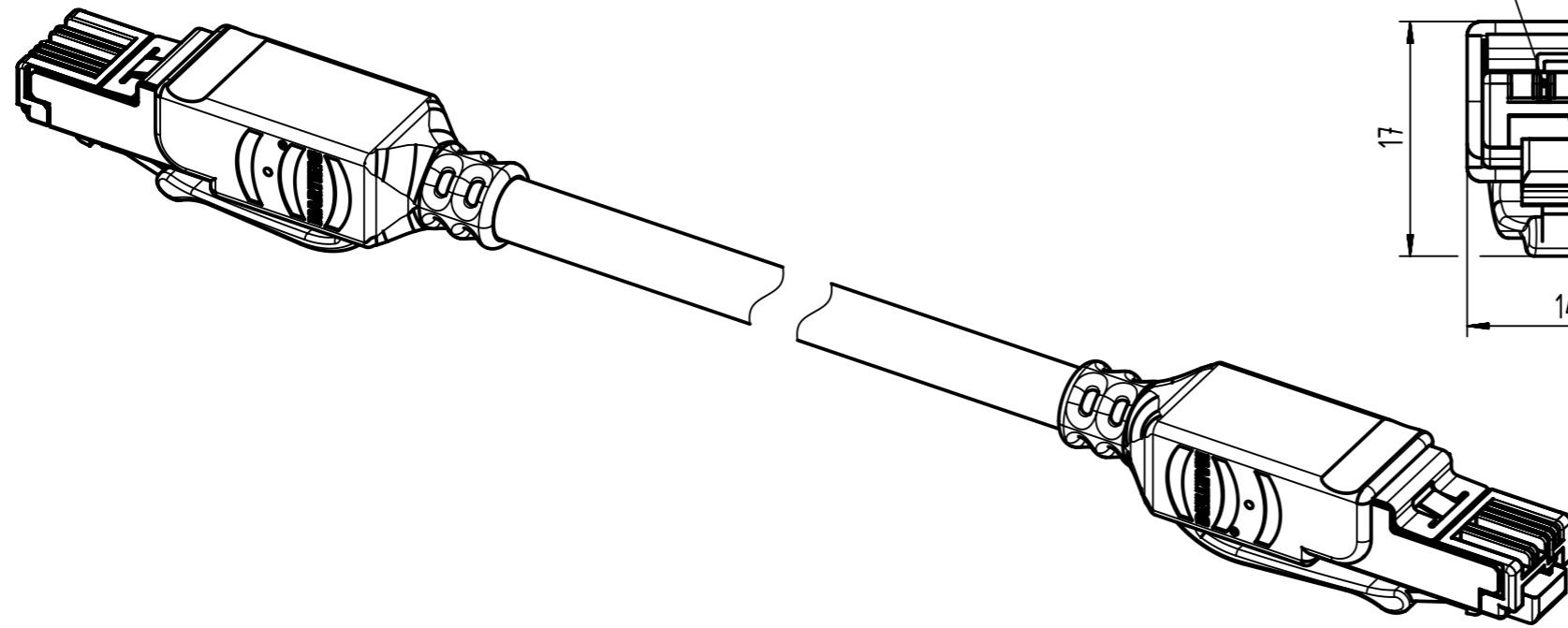
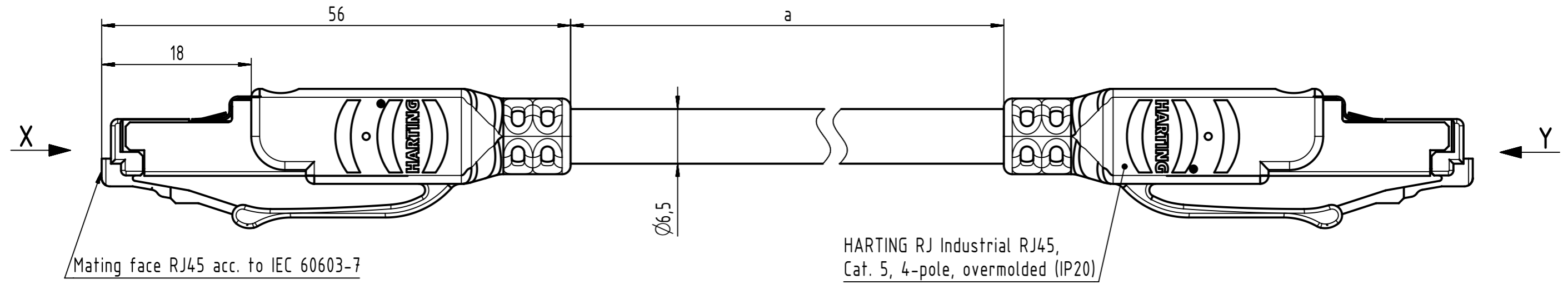


Connector Location A

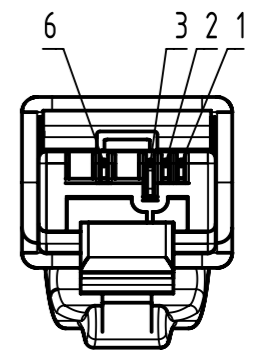
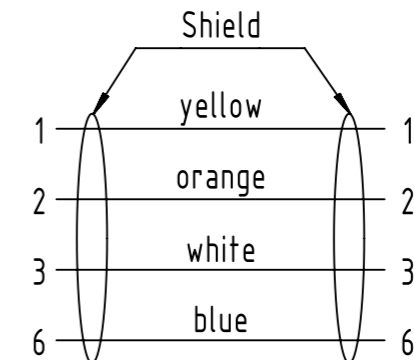
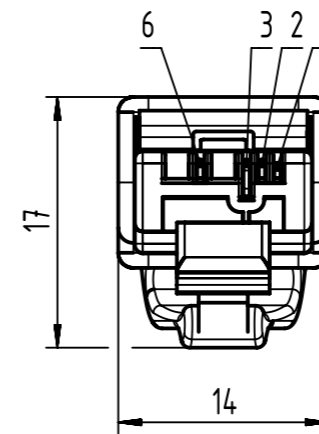
Connector Location B



X
male

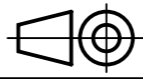

Y
male

Loading-Plan:



- Temperature range: -40°C ... +70°C

| | | | | | | | | | |
|---|---------------------|--|-----------------------|---------------------------|-----------------------------|--------------------|--|--|--|
| | All rights reserved | | Tech. Character. | | Free size tol. | | According to production drawing | | |
| | Department HCS - RO | | Created by COSTEA | Inspected by STOCHECIC | Standardisation MUNTEANV | Date 2018-09-13 | State Final Release | | |
| HARTING Customised Solutions D-32339 Espelkamp | | Title RJ Industrial PROFINET cable assembly | | | | | Doc-Key / ECM-Nr. 100081054/UGD/051/G 500000139970 | | |
| | | Type TB | Number 0945771XXXX | | | Rev. G | Page 1/3 | | |

| 1 | 2 | 3 | 4 | 5 | 6 | 7 | 8 | | | |
|--|-------------|---|-----------|---|---|--|---|---------------------------------|------------------------|-------------|
| | | | | RJ Ethernet stranded cable, 4xAWG22/7, PVC, Cat. 5+, green | | | | | | |
| 52 | 09457711161 | | 100 | | | | | | | |
| 51 | 09457711160 | | 90 | | | | | | | |
| 50 | 09457711159 | | 80 | | | | | | | |
| 49 | 09457711158 | | 70 | | | | | | | |
| 48 | 09457711157 | | 60 | | | | | | | |
| 47 | 09457711156 | | 50 | | | | | | | |
| 46 | 09457711155 | | 40 | | | | | | | |
| 45 | 09457711154 | | 30 | | | | | | | |
| 44 | 09457711153 | | 20 | | | | | | | |
| 43 | 09457711152 | | 15 | | | | | | | |
| 42 | 09457711132 | | 13 | | | | | | | |
| 41 | 09457711151 | | 10 | | | | | | | |
| 40 | 09457711131 | | 9 | | | | | | | |
| 39 | 09457711130 | | 8 | | | | | | | |
| 38 | 09457711129 | | 7 | | | | | | | |
| 37 | 09457711128 | | 6 | | | | | | | |
| 36 | 09457711127 | | 5 | | | | | | | |
| 35 | 09457711136 | | 4.5 | | | | | | | |
| 34 | 09457711126 | | 4 | | | | | | | |
| 33 | 09457711135 | | 3.5 | | | | | | | |
| 32 | 09457711125 | | 3 | | | | | | | |
| 31 | 09457711140 | | 2.2 | | | | | | | |
| 30 | 09457711124 | | 2 | | | | | | | |
| 29 | 09457711139 | | 1.8 | | | | | | | |
| 28 | 09457711123 | | 1.5 | | | | | | | |
| 27 | 09457711122 | | 1 | | | | | | | |
| 26 | 09457711138 | | 0.9 | | | | | | | |
| 25 | 09457711121 | | 0.5 | | | | | | | |
| 24 | 09457711134 | | 0.3 | | | | | | | |
| 23 | 09457711137 | | 0.15 | | | | | | | |
| Cont. no. | Part no. | Type of cable | Dim. a[m] | | | | | | | |
|  All Dimensions in mm | | | | Tech. Character. | | Free size tol. | | According to production drawing | | |
|  All rights reserved Department HCS - RO | | Created by COSTEA | | Inspected by STOCHECIC | | Standardisation MUNTEANV | | Date 2018-09-13 | State Final Release | |
| HARTING Customised Solutions D-32339 Espelkamp | | Title RJ Industrial PROFINET cable assembly | | | | Doc-Key / ECM-Nr. 100081054/UGD/051/G 500000139970 | | Rev. G | | Page 2/3 |
| | | Type TB | | Number 0945771XXXX | | | | | | |
| 22 | 09457710061 | RJ Ethernet standard cable, AWG22/1, 2x2x0.64, PVC, Cat. 5+, green | 100 | | | | | | | |
| 21 | 09457710060 | | 90 | | | | | | | |
| 20 | 09457710059 | | 80 | | | | | | | |
| 19 | 09457710058 | | 70 | | | | | | | |
| 18 | 09457710057 | | 60 | | | | | | | |
| 17 | 09457710056 | | 50 | | | | | | | |
| 16 | 09457710055 | | 40 | | | | | | | |
| 15 | 09457710054 | | 30 | | | | | | | |
| 14 | 09457710053 | | 20 | | | | | | | |
| 13 | 09457710052 | | 15 | | | | | | | |
| 12 | 09457710051 | | 10 | | | | | | | |
| 11 | 09457710031 | | 9 | | | | | | | |
| 10 | 09457710030 | | 8 | | | | | | | |
| 9 | 09457710029 | | 7 | | | | | | | |
| 8 | 09457710028 | | 6 | | | | | | | |
| 7 | 09457710027 | | 5 | | | | | | | |
| 6 | 09457710026 | | 4 | | | | | | | |
| 5 | 09457710025 | | 3 | | | | | | | |
| 4 | 09457710024 | | 2 | | | | | | | |
| 3 | 09457710023 | | 1.5 | | | | | | | |
| 2 | 09457710022 | | 1 | | | | | | | |
| 1 | 09457710021 | | 0.5 | | | | | | | |
| Cont. no. | Part no. | Type of cable | Dim. a[m] | | | | | | | |

| | 1 | 2 | 3 | 4 | 5 | 6 | 7 | 8 |
|---|-----------|-------------|---|-----------|---|---|---|---|
| A | | | | | | | | |
| B | 81 | 09457711183 | RJ45 Ethernet trailing cable, AWG22/7, 2x2x0.75, PUR, Cat. 5+, green | 100 | | | | |
| | 80 | 09457711182 | | 90 | | | | |
| | 79 | 09457711181 | | 80 | | | | |
| | 78 | 09457711180 | | 70 | | | | |
| | 77 | 09457711179 | | 60 | | | | |
| | 76 | 09457711187 | | 55 | | | | |
| | 75 | 09457711178 | | 50 | | | | |
| C | 74 | 09457711177 | | 40 | | | | |
| | 73 | 09457711176 | | 30 | | | | |
| | 72 | 09457711175 | | 20 | | | | |
| | 71 | 09457711186 | | 18 | | | | |
| | 70 | 09457711174 | | 15 | | | | |
| | 69 | 09457711188 | | 14 | | | | |
| | 68 | 09457711189 | | 12 | | | | |
| D | 67 | 09457711173 | | 10 | | | | |
| | 66 | 09457711172 | | 9 | | | | |
| | 65 | 09457711171 | | 8 | | | | |
| | 64 | 09457711170 | | 7 | | | | |
| | 63 | 09457711169 | | 6 | | | | |
| | 62 | 09457711168 | | 5 | | | | |
| | 61 | 09457711167 | 4 | | | | | |
| E | 60 | 09457711166 | 3 | | | | | |
| | 59 | 09457711190 | 2.3 | | | | | |
| | 58 | 09457711165 | 2 | | | | | |
| | 57 | 09457711164 | 1.5 | | | | | |
| | 56 | 09457711163 | 1 | | | | | |
| | 55 | 09457711185 | 0.6 | | | | | |
| | 54 | 09457711162 | 0.5 | | | | | |
| | 53 | 09457711184 | 0.3 | | | | | |
| F | Cont. no. | Part no. | Type of cable | Dim. a[m] | | | | |
| | 1 | 2 | 3 | 4 | 5 | 6 | 7 | 8 |

| | | | | | | | | | | | | |
|---|---------------------|--|--|--|---------------------------|--|-----------------------------|--|--|--|------------------------|--|
| | All rights reserved | | Created by COSTEA | | Inspected by STOCHECIC | | Standardisation MUNTEANV | | Date 2018-09-13 | | State Final Release | |
| | Department HCS - RO | | Title RJ Industrial PROFINET cable assembly | | | | | | Doc-Key / ECM-Nr. 100081054/UGD/051/G 500000139970 | | | |
| HARTING Customised Solutions D-32339 Espelkamp | | | Type TB | | Number 0945771XXXX | | | | Rev. G | | Page 3/3 | |